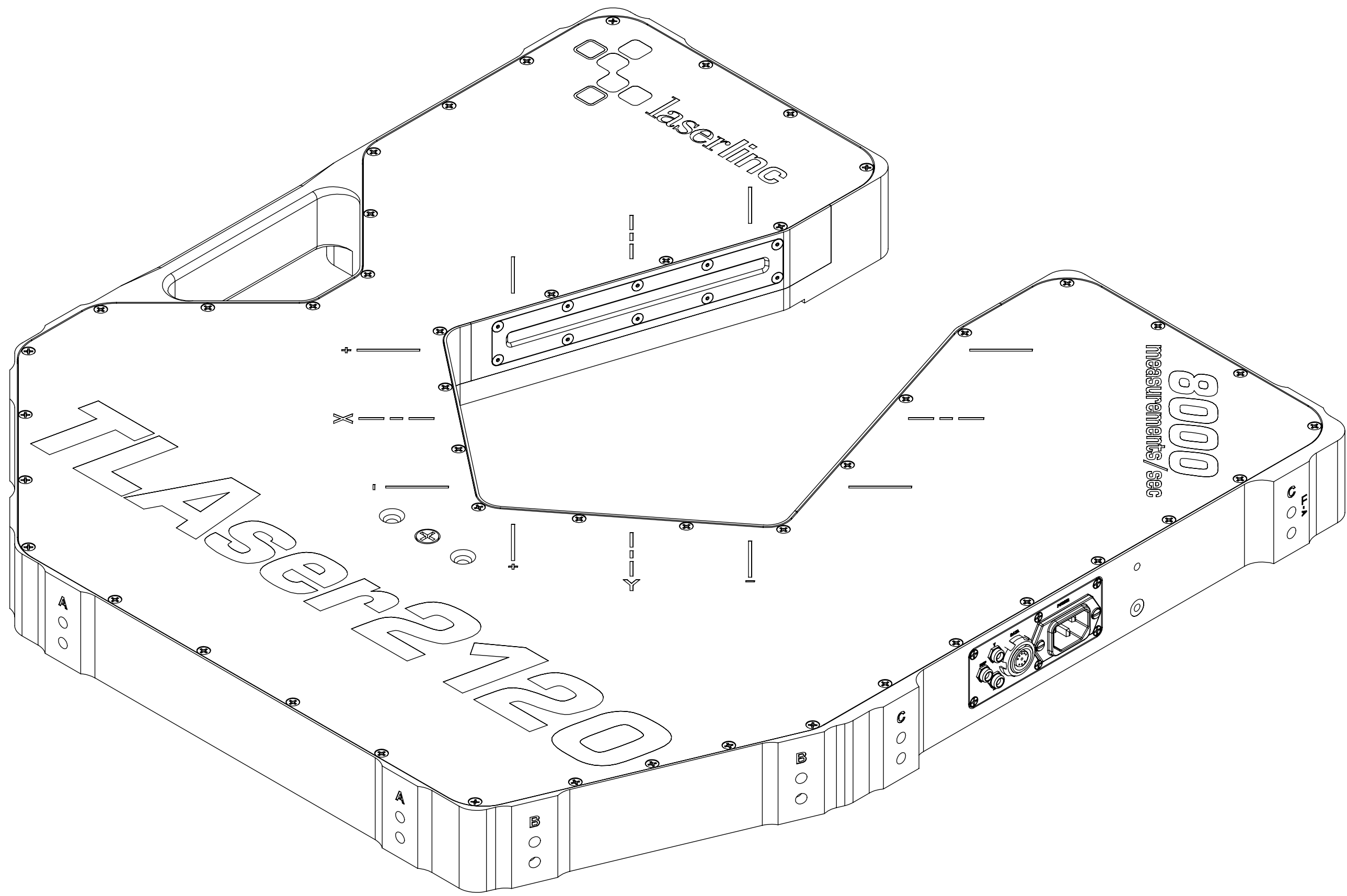



ZONE		REV.	REVISIONS		DATE	APPROVED
		A	DESCRIPTION	Check-In	11/15/2011	MAM

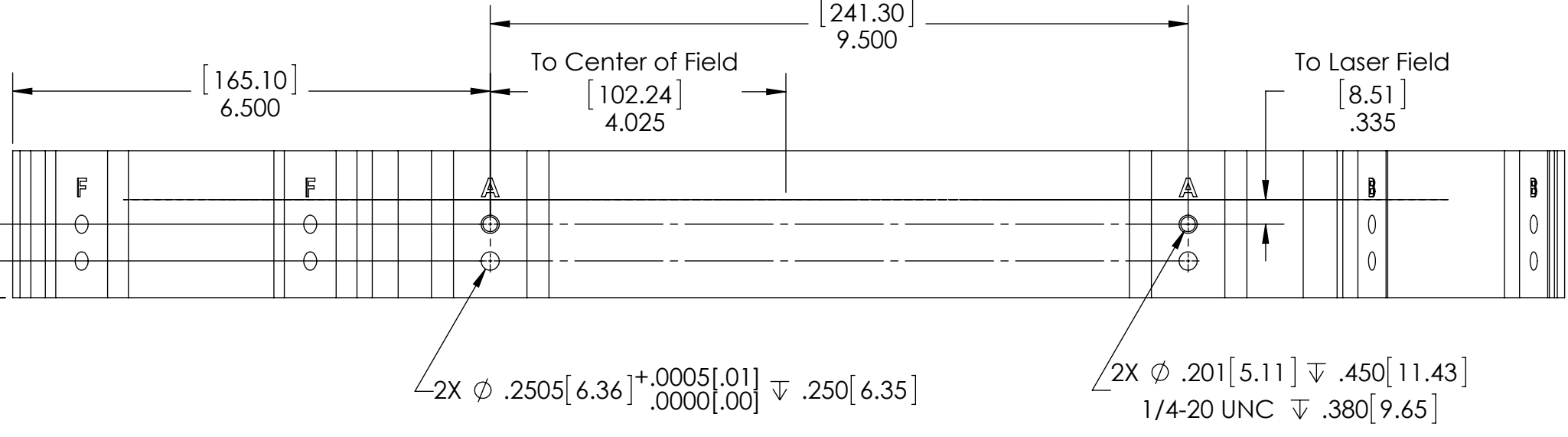
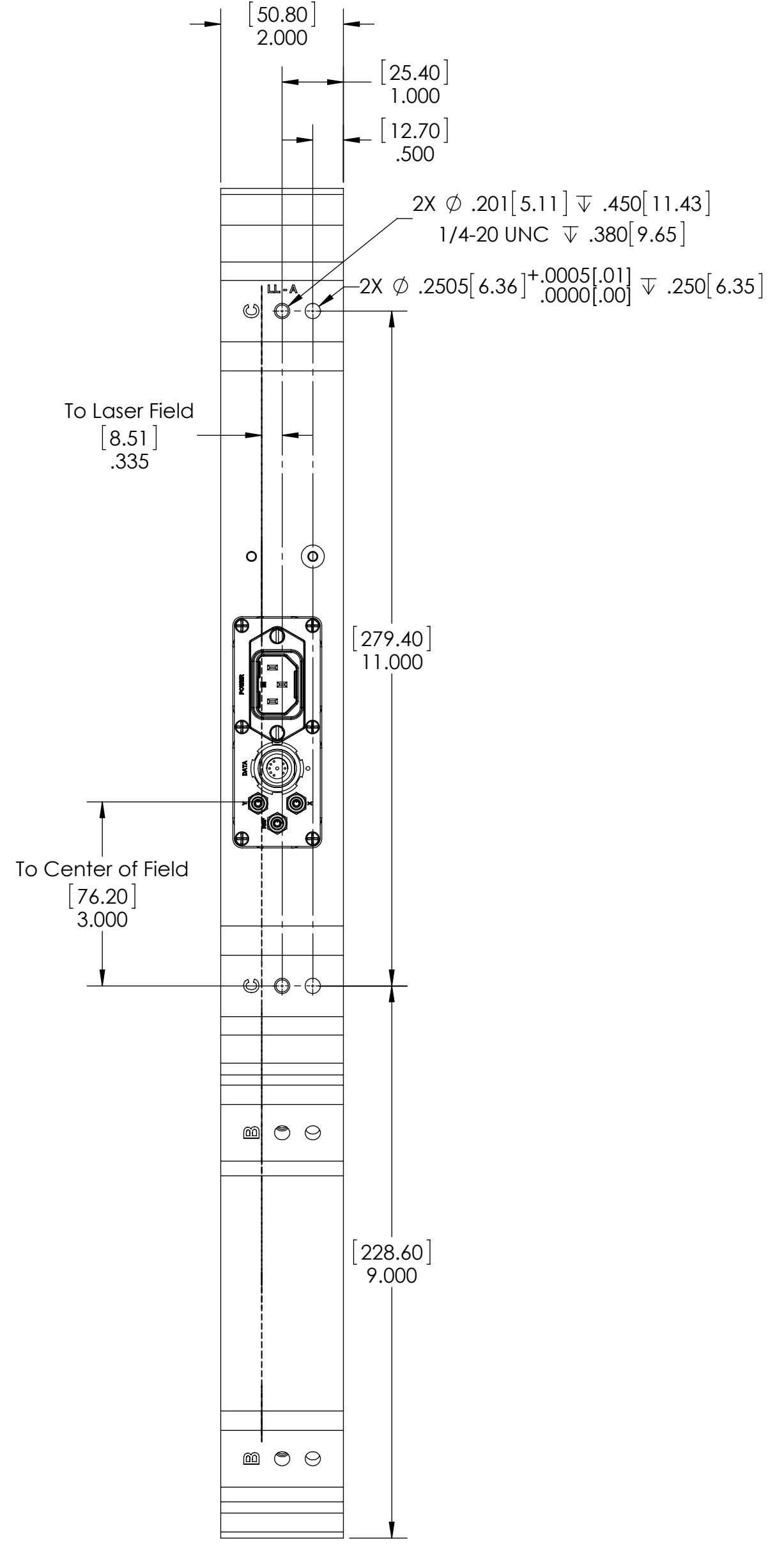
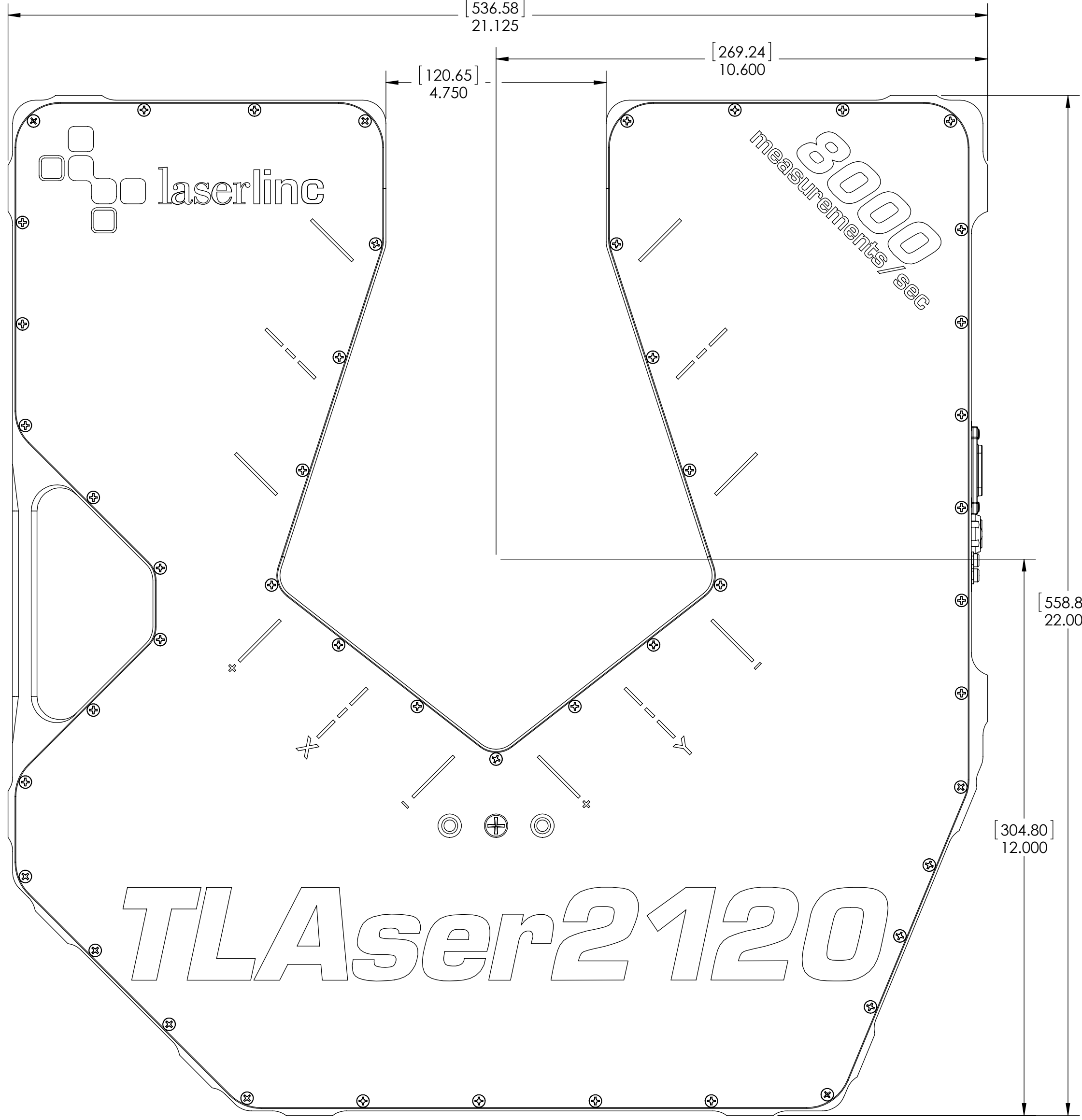
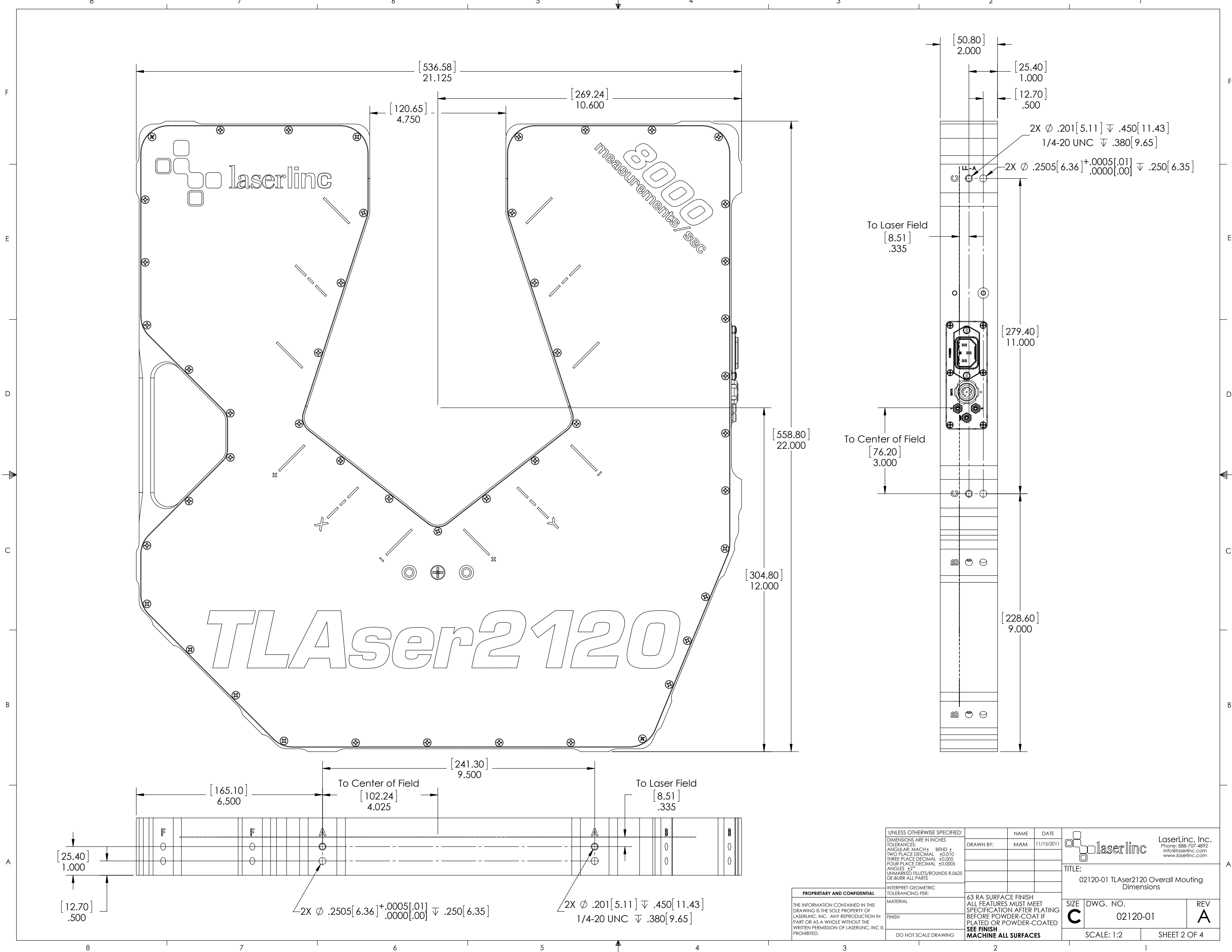


TLAser2120 Overall Mousing Dimensions


INDEX

- (1) Cover Page
- (2) Dimensions
- (3) Dimensions 2
- (4) Dimensions 3

UNLESS OTHERWISE SPECIFIED: DIMENSIONS ARE IN INCHES TOLERANCES: ANGULAR: MACH ± BEND ± TWO PLACE DECIMAL ±0.010 THREE PLACE DECIMAL ±0.005 FOUR PLACE DECIMAL ±0.0005 ANGLES ±2° UNMARKED FILLETS/ROUNDS R.0625 DE-BURR ALL PARTS		NAME	DATE	 LaserLinc, Inc. Phone: 888-707-4892 info@laserline.com www.laserline.com
DRAWN BY: MAM		MAM	11/15/2011	
PROPRIETARY AND CONFIDENTIAL THE INFORMATION CONTAINED IN THIS DRAWING IS THE SOLE PROPERTY OF LASERLINC, INC. ANY REPRODUCTION IN PART OR AS A WHOLE WITHOUT THE WRITTEN PERMISSION OF LASERLINC, INC IS PROHIBITED.		INTERPRET GEOMETRIC TOLERANCING PER: MATERIAL: FINISH: DO NOT SCALE DRAWING		TITLE: 02120-01 TLAser2120 Overall Mousing Dimensions
63 RA SURFACE FINISH ALL FEATURES MUST MEET SPECIFICATION AFTER PLATING BEFORE POWDER-COAT IF PLATED OR POWDER-COATED SEE FINISH MACHINE ALL SURFACES		SIZE C	DWG. NO. 02120-01	REV A
		SCALE: 1:2		SHEET 1 OF 4



UNLESS OTHERWISE SPECIFIED:		NAME	DATE
DIMENSIONS ARE IN INCHES		DRAWN BY:	MAM 11/15/2011
TOLERANCES:			
ANGULAR: MACH ± BEND ±			
TWO PLACE DECIMAL ±0.01			
THREE PLACE DECIMAL ±0.005			
FOUR PLACE DECIMAL ±0.0005			
ANGLES ±2°			
UNMARKED FILLETS/ROUNDS R.0625			
DE-BURR ALL PARTS			
INTERPRET GEOMETRIC TOLERANCING PER:			
MATERIAL		63 RA SURFACE FINISH ALL FEATURES MUST MEET SPECIFICATION AFTER PLATING BEFORE POWDER-COAT IF PLATED OR POWDER-COATED SEE FINISH MACHINE ALL SURFACES	
FINISH			
DO NOT SCALE DRAWING			

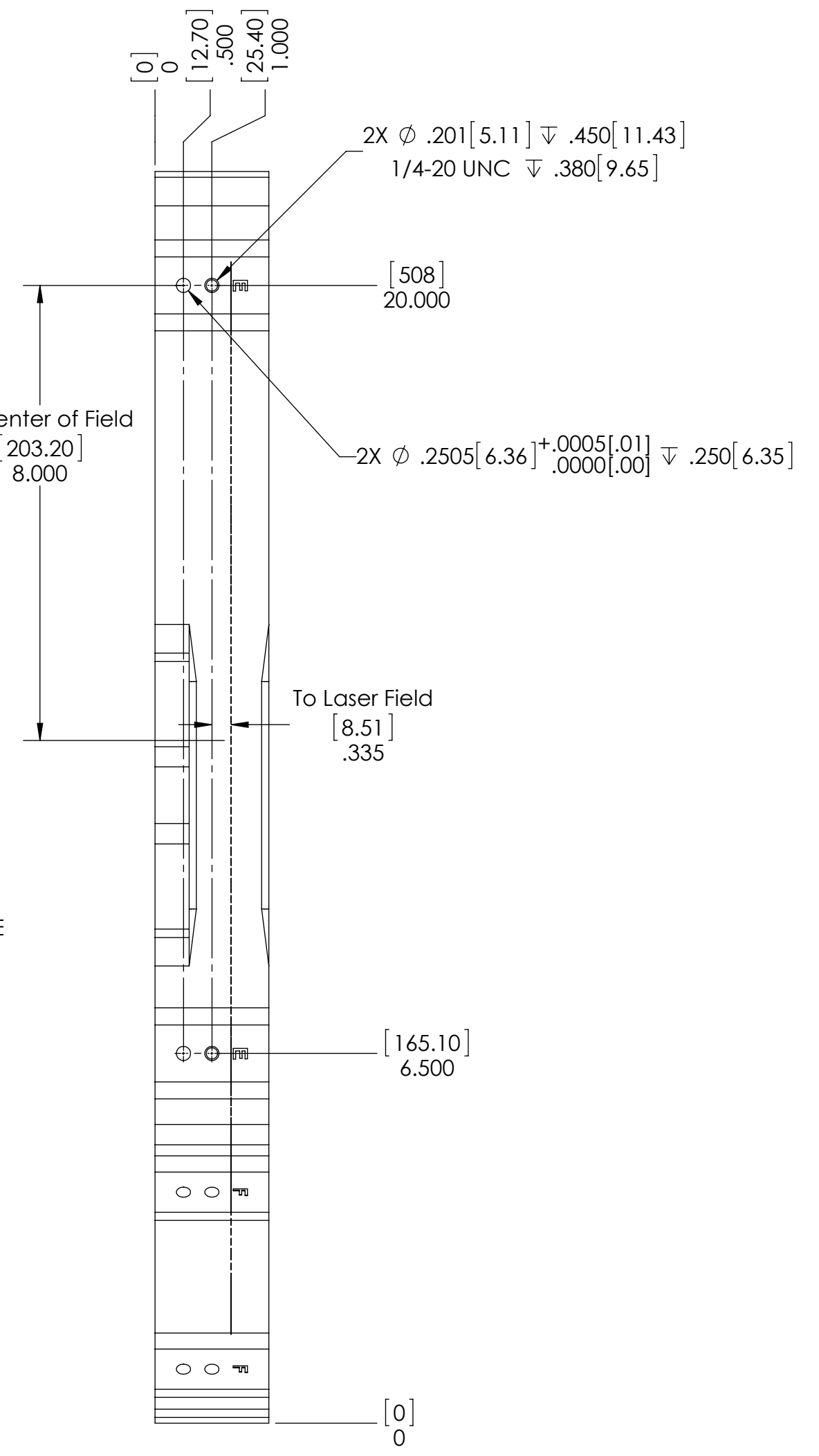
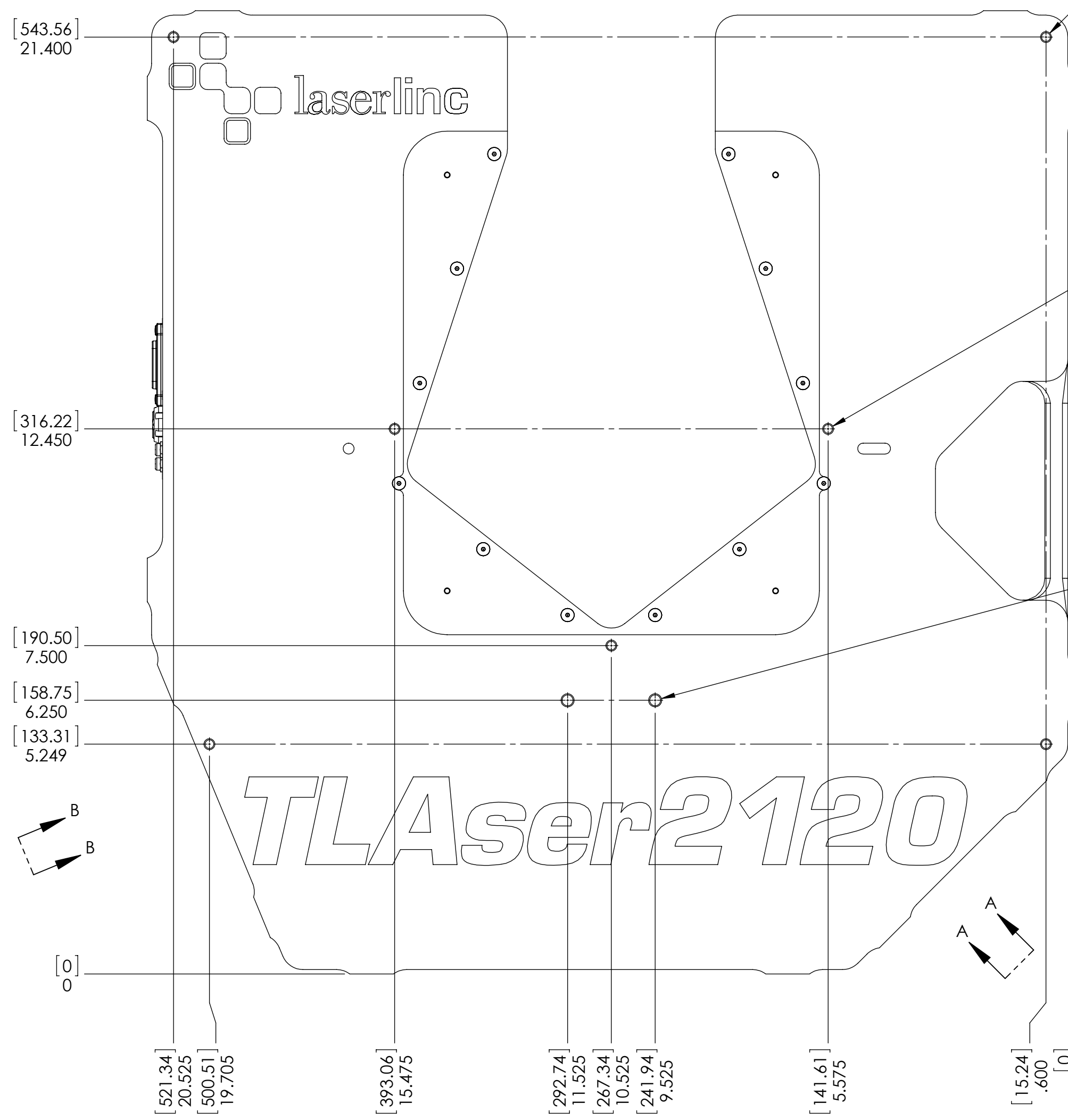
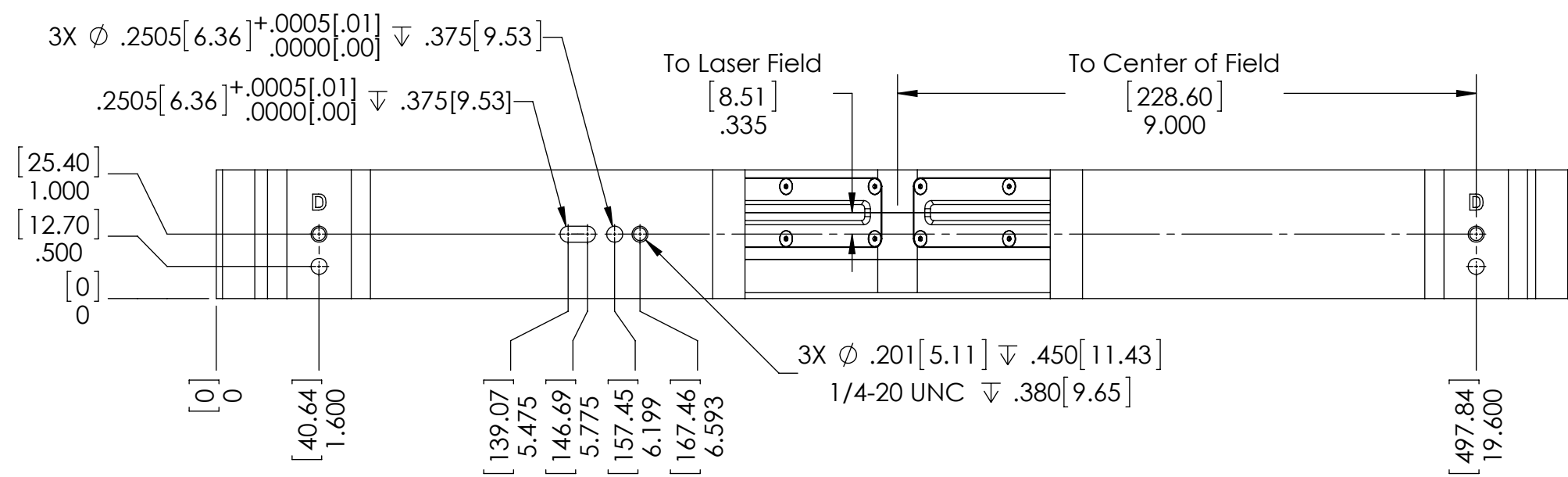

LaserLinc, Inc.
 Phone: 888-707-4892
 info@laserlinc.com
 www.laserlinc.com

TITLE:
 02120-01 TLAser2120 Overall Mounting Dimensions

SIZE	DWG. NO.	REV
C	02120-01	A

SCALE: 1:2 **SHEET** 2 OF 4

PROPRIETARY AND CONFIDENTIAL
 THE INFORMATION CONTAINED IN THIS DRAWING IS THE SOLE PROPERTY OF LASERLINC, INC. ANY REPRODUCTION IN PART OR AS A WHOLE WITHOUT THE WRITTEN PERMISSION OF LASERLINC, INC IS PROHIBITED.



2X Ø .201 [5.11] THRU ALL
 1/4-20 UNC THRU ALL
 ✓ Ø .550 [13.97] X 82°, NEAR SIDE
 ✓ Ø .300 [7.62] X 82°, FAR SIDE

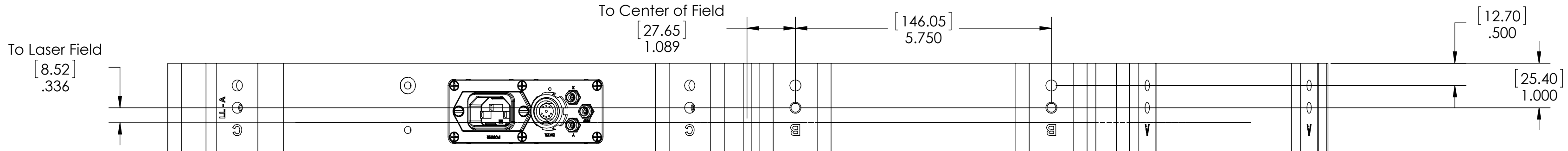
UNLESS OTHERWISE SPECIFIED: DIMENSIONS ARE IN INCHES TOLERANCES: ANGULAR: MACH ± BEND ± TWO PLACE DECIMAL ±0.010 THREE PLACE DECIMAL ±0.005 FOUR PLACE DECIMAL ±0.0005 ANGLES ±2° UNMARKED FILLETS/ROUNDS R.0625 DE-BURR ALL PARTS	NAME	DATE
INTERPRET GEOMETRIC TOLERANCING PER:	MAM	11/15/2011

LaserLinc, Inc.
 Phone: 888-707-4892
 info@laserlinec.com
 www.laserlinec.com

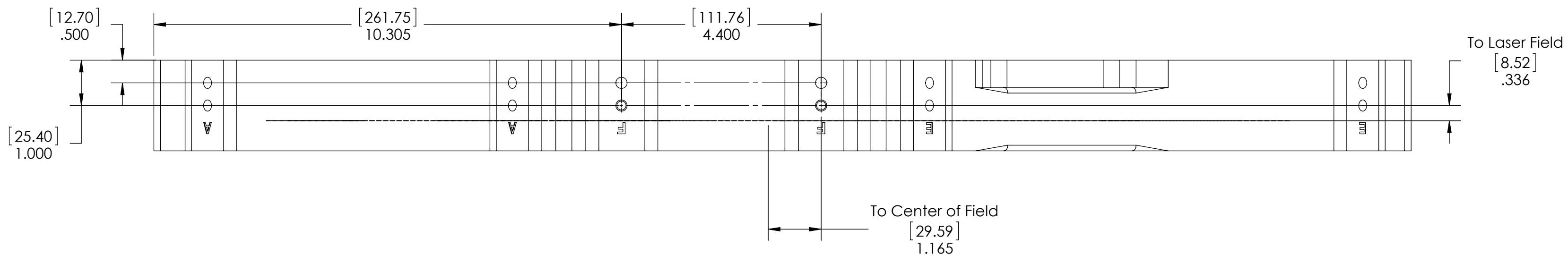
PROPRIETARY AND CONFIDENTIAL
 THE INFORMATION CONTAINED IN THIS DRAWING IS THE SOLE PROPERTY OF LASERLINC, INC. ANY REPRODUCTION IN PART OR AS A WHOLE WITHOUT THE WRITTEN PERMISSION OF LASERLINC, INC IS PROHIBITED.

63 RA SURFACE FINISH
 ALL FEATURES MUST MEET SPECIFICATION AFTER PLATING BEFORE POWDER-COAT IF PLATED OR POWDER-COATED
SEE FINISH MACHINE ALL SURFACES


TITLE: 02120-01 TLAser2120 Overall Mounting Dimensions		
SIZE C	DWG. NO. 02120-01	REV A
SCALE: 3:7		SHEET 3 OF 4



VIEW B-B



VIEW A-A

PROPRIETARY AND CONFIDENTIAL THE INFORMATION CONTAINED IN THIS DRAWING IS THE SOLE PROPERTY OF LASERLINC, INC. ANY REPRODUCTION IN PART OR AS A WHOLE WITHOUT THE WRITTEN PERMISSION OF LASERLINC, INC IS PROHIBITED.	UNLESS OTHERWISE SPECIFIED: DIMENSIONS ARE IN INCHES TOLERANCES: ANGULAR: MACH ± BEND ± TWO PLACE DECIMAL ±0.010 THREE PLACE DECIMAL ±0.005 FOUR PLACE DECIMAL ±0.0005 ANGLES ±2° UNMARKED FILLETS/ROUNDS R.0625 DE-BURR ALL PARTS	NAME MAM DATE 11/15/2011	 LaserLinc, Inc. Phone: 888-707-4892 info@laserlinc.com www.laserlinc.com
	INTERPRET GEOMETRIC TOLERANCING PER:	TITLE: 02120-01 TLAser2120 Overall Mouting Dimensions	
	MATERIAL FINISH DO NOT SCALE DRAWING	63 RA SURFACE FINISH ALL FEATURES MUST MEET SPECIFICATION AFTER PLATING BEFORE POWDER-COAT IF PLATED OR POWDER-COATED SEE FINISH MACHINE ALL SURFACES	
	SIZE C	DWG. NO. 02120-01	
		SCALE: 1:2	SHEET 4 OF 4