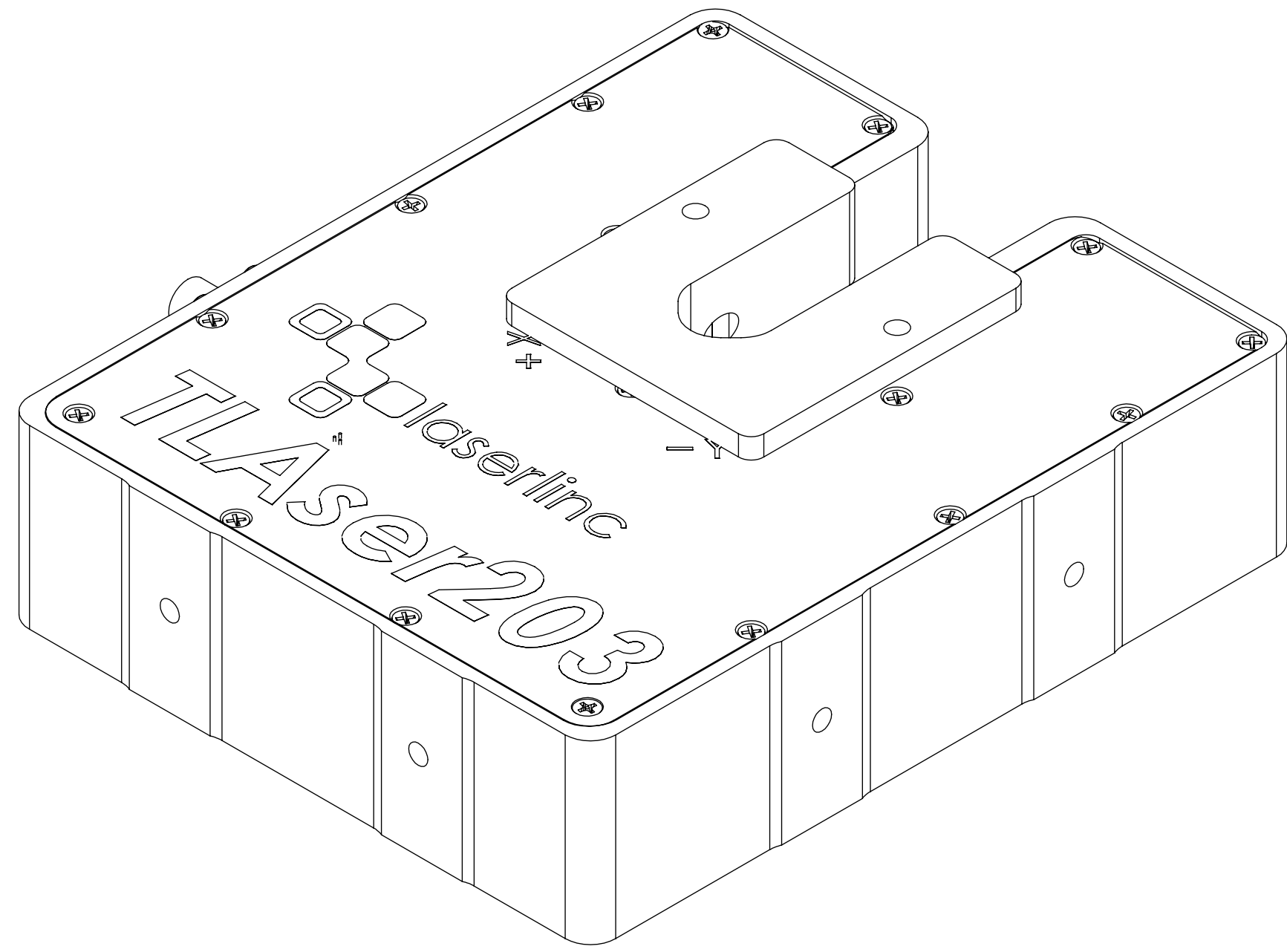



ZONE		REV.	REVISIONS		DATE	APPROVED
		A	DESCRIPTION		6/2/2011	DRP
			Check-in			

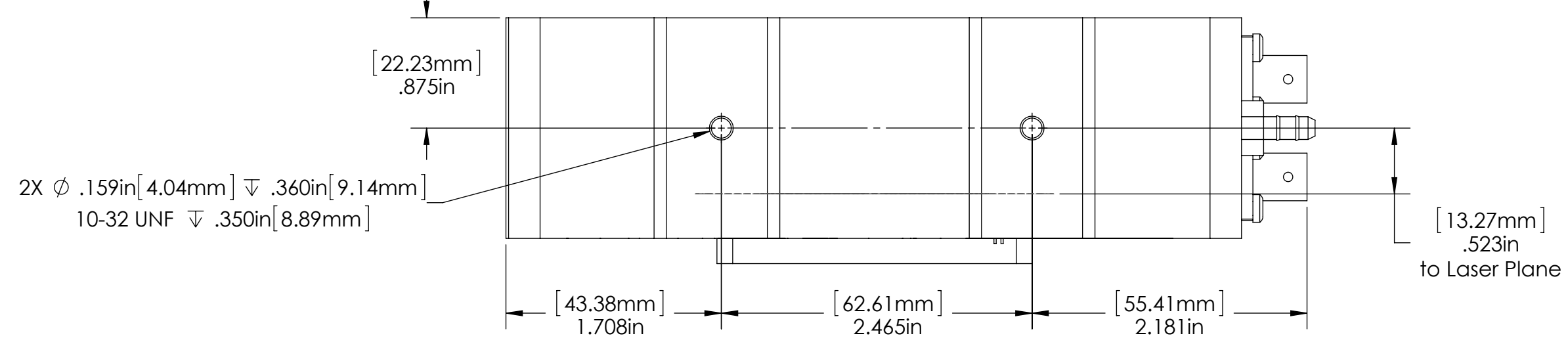
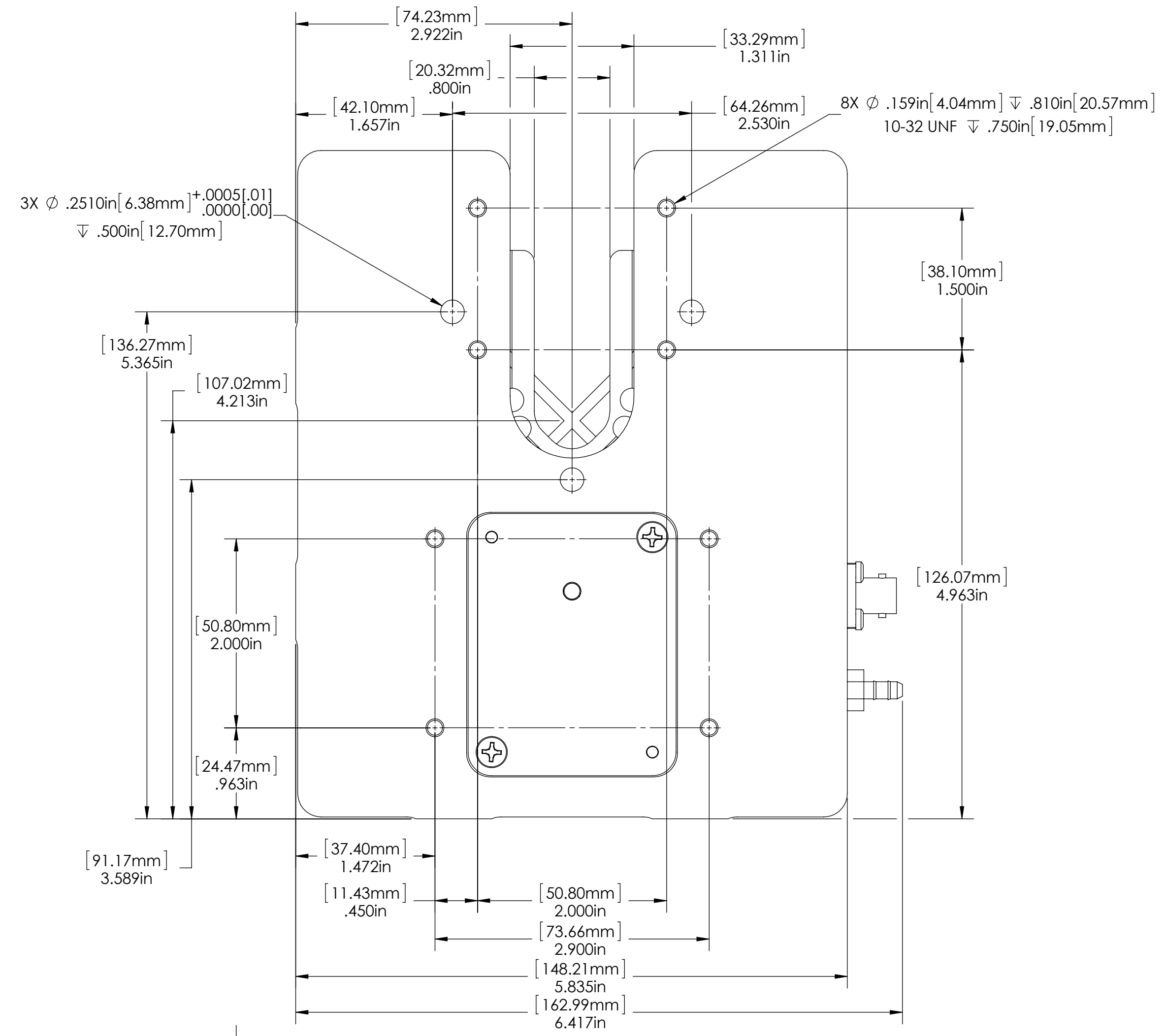
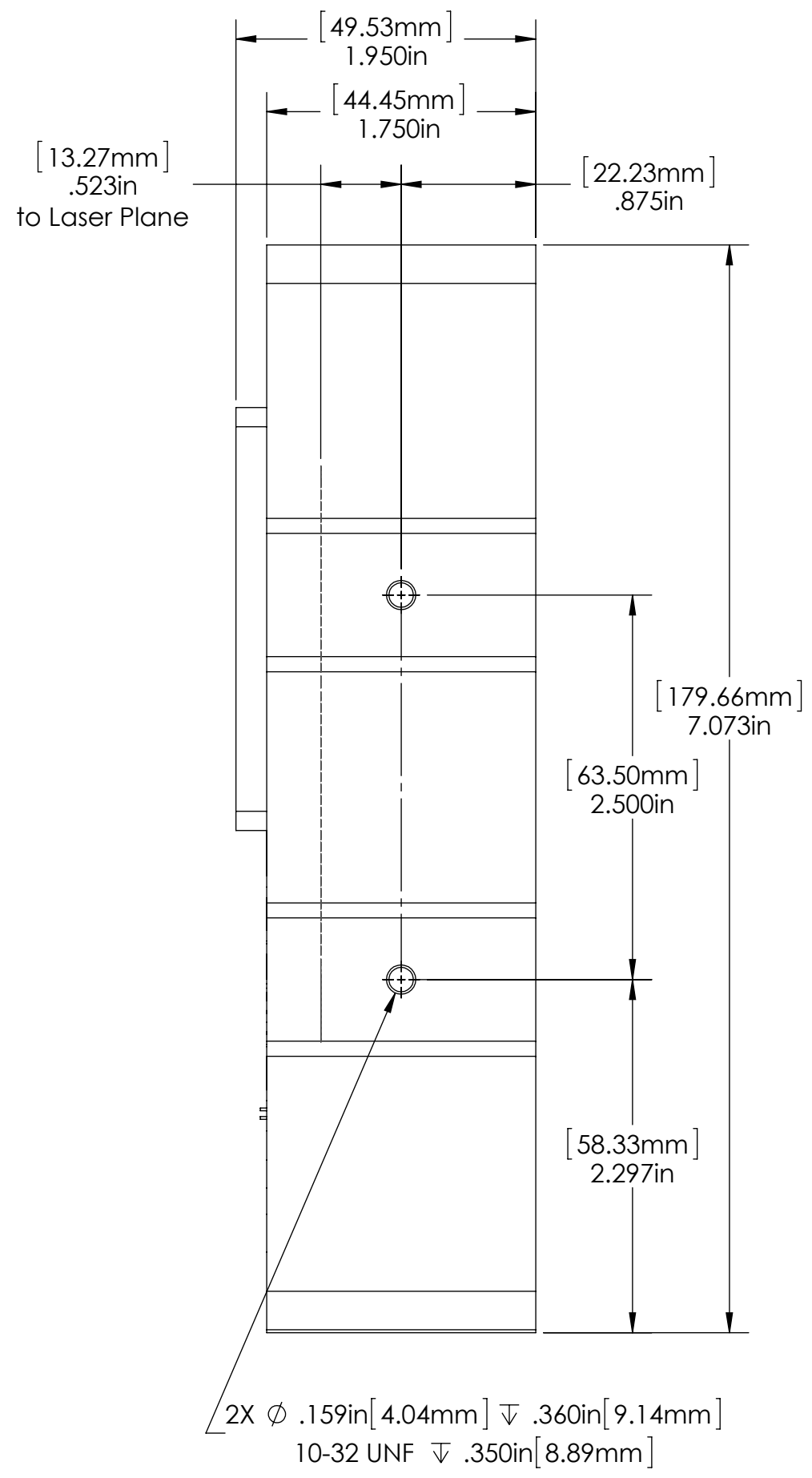


# TLAser203 Overall Mounting Dimensions

## INDEX

- (1) Cover Page
- (2) Dimensions

<b>PROPRIETARY AND CONFIDENTIAL</b> <small>THE INFORMATION CONTAINED IN THIS DRAWING IS THE SOLE PROPERTY OF LASERLINC, INC. ANY REPRODUCTION IN PART OR AS A WHOLE WITHOUT THE WRITTEN PERMISSION OF LASERLINC, INC IS PROHIBITED.</small>		<small>UNLESS OTHERWISE SPECIFIED:</small> <small>DIMENSIONS ARE IN INCHES</small> <small>TOLERANCES:</small> <small>ANGULAR: MACH ± BEND ±</small> <small>TWO PLACE DECIMAL ±0.010</small> <small>THREE PLACE DECIMAL ±0.005</small> <small>FOUR PLACE DECIMAL ±0.0005</small> <small>ANGLES ±2°</small> <small>UNMARKED FILLETS/ROUNDS R.0625</small> <small>DE-BURR ALL PARTS</small>		<small>NAME</small> <small>DATE</small>	 <b>LaserLinc, Inc.</b> <small>Phone: 888-707-4892</small> <small>Info@laserlinc.com</small> <small>www.laserlinc.com</small>	
		<small>DRAWN BY:</small> <small>DRP</small>	<small>6/2/2011</small>	<small>TITLE:</small> <b>00203-01 TLAser203 Overall Mounting Dimensions</b>		
<small>INTERPRET GEOMETRIC TOLERANCING PER:</small>		<small>63 RA SURFACE FINISH</small> <small>ALL FEATURES MUST MEET SPECIFICATION AFTER PLATING</small> <small>BEFORE POWDER-COAT IF PLATED OR POWDER-COATED</small> <small>SEE FINISH</small> <b>MACHINE ALL SURFACES</b>		<small>SIZE</small> <b>C</b>	<small>DWG. NO.</small> <b>00203-01</b>	<small>REV</small> <b>A</b>
<small>DO NOT SCALE DRAWING</small>		<small>SCALE: 1:1</small>		<small>SHEET 1 OF 2</small>		



<b>PROPRIETARY AND CONFIDENTIAL</b> THE INFORMATION CONTAINED IN THIS DRAWING IS THE SOLE PROPERTY OF LASERLINC, INC. ANY REPRODUCTION IN PART OR AS A WHOLE WITHOUT THE WRITTEN PERMISSION OF LASERLINC, INC IS PROHIBITED.	UNLESS OTHERWISE SPECIFIED: DIMENSIONS ARE IN INCHES TOLERANCES: ANGULAR: MACH ± BEND ± TWO PLACE DECIMAL ±0.010 THREE PLACE DECIMAL ±0.005 FOUR PLACE DECIMAL ±0.0005 ANGLES ±2° UNMARKED FILLETS/ROUNDS R.0625 DE-BURR ALL PARTS	DRAWN BY: DRP DATE: 6/2/2011	NAME: LaserLinc, Inc. Phone: 888-707-4892 Info@laserlinc.com www.laserlinc.com
	INTERPRET GEOMETRIC TOLERANCING PER: MATERIAL: FINISH: DO NOT SCALE DRAWING	63 RA SURFACE FINISH ALL FEATURES MUST MEET SPECIFICATION AFTER PLATING BEFORE POWDER-COAT IF PLATED OR POWDER-COATED <b>SEE FINISH MACHINE ALL SURFACES</b>	TITLE: 00203-01 TLaser203 Overall Mounting Dimensions
		SCALE: 1:1	SHEET 2 OF 2