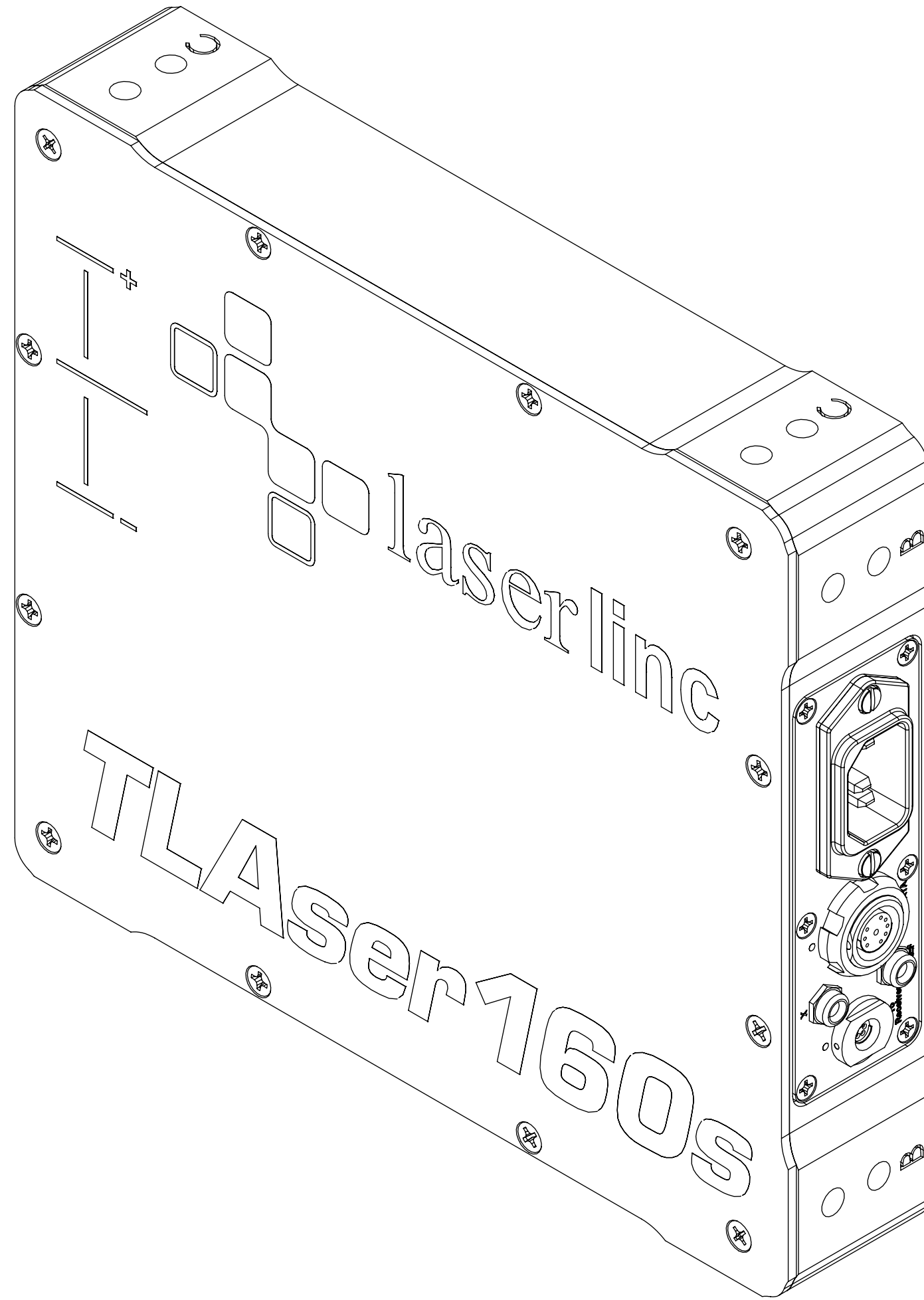
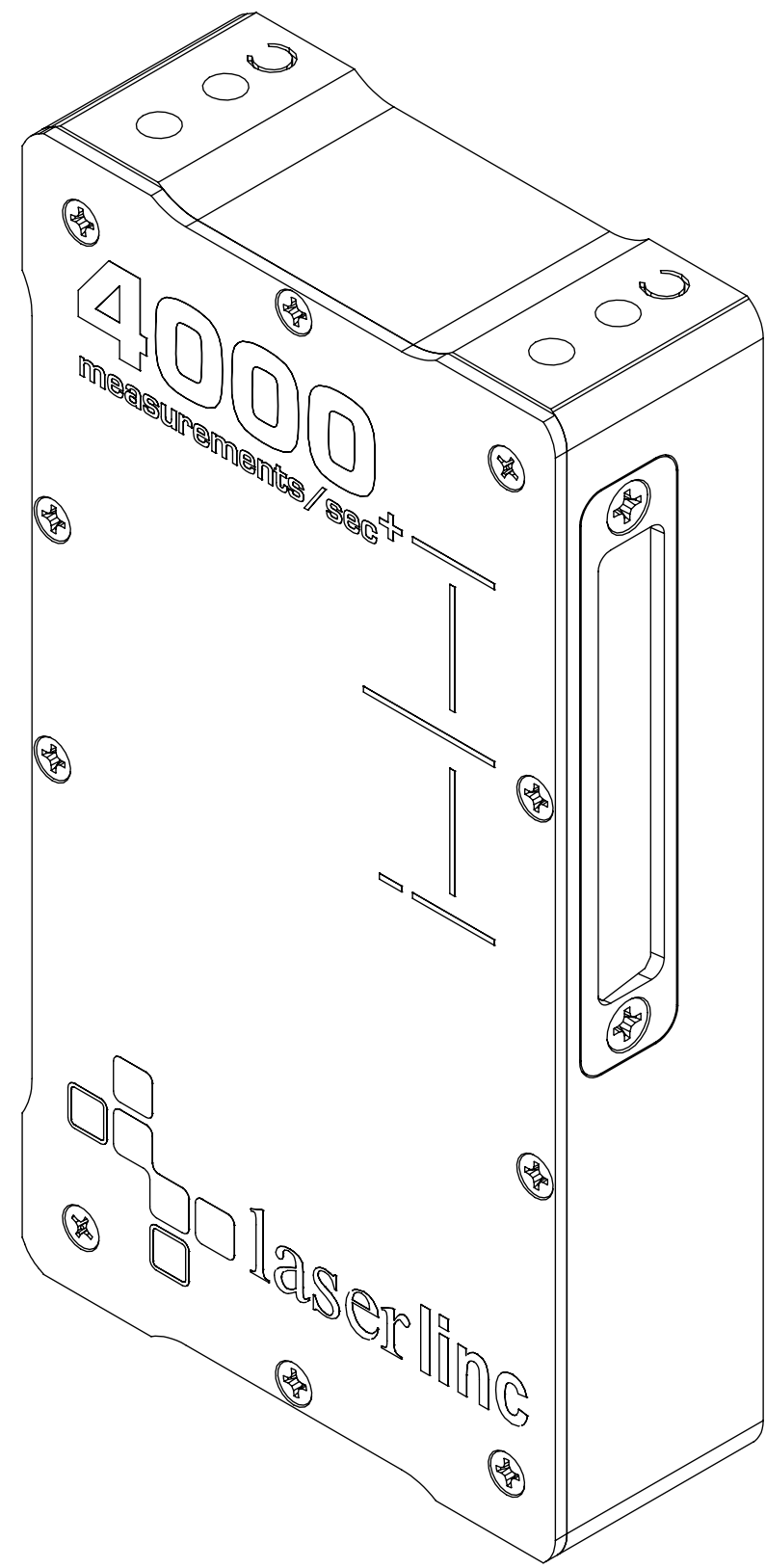



| ZONE | | REV. | REVISIONS | | DATE | APPROVED |
|------|--|------|-------------|----------|-----------|----------|
| | | A | DESCRIPTION | Check-In | 2/23/2011 | MAM |

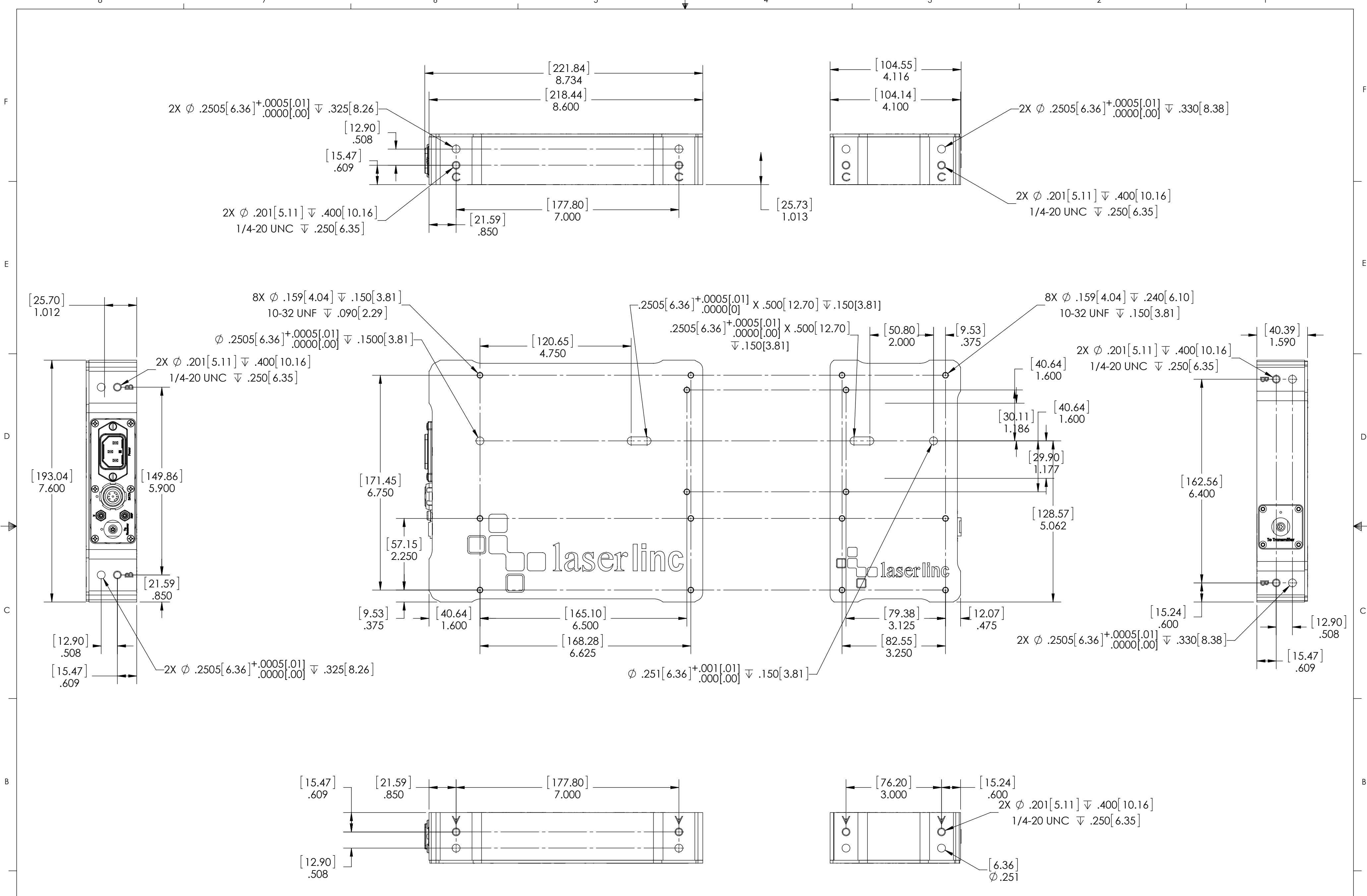



Overall and Mounting Dimension

INDEX

- (1) Cover Page
- (2) Dimensions

| | | | | |
|---|--|--|--------------------------|---|
| UNLESS OTHERWISE SPECIFIED: DIMENSIONS ARE IN INCHES TOLERANCES: ANGULAR: MACH ± BEND ± TWO PLACE DECIMAL ±0.010 THREE PLACE DECIMAL ±0.005 FOUR PLACE DECIMAL ±0.0005 ANGLES ±2° UNMARKED FILLETS/ROUNDS R.0625 DE-BURR ALL PARTS | | NAME | DATE |  LaserLinc, Inc. Phone: 888-707-4892 info@laserline.com www.laserline.com |
| DRAWN BY: MAM | | MAM | 2/23/2011 | |
| PROPRIETARY AND CONFIDENTIAL THE INFORMATION CONTAINED IN THIS DRAWING IS THE SOLE PROPERTY OF LASERLINC, INC. ANY REPRODUCTION IN PART OR AS A WHOLE WITHOUT THE WRITTEN PERMISSION OF LASERLINC, INC IS PROHIBITED. | | INTERPRET GEOMETRIC TOLERANCING PER: MATERIAL: FINISH: DO NOT SCALE DRAWING | | TITLE: 0161-0000-00 Overall and Mounting Dimensions |
| 63 RA SURFACE FINISH ALL FEATURES MUST MEET SPECIFICATION AFTER MEETING BEFORE POWDER-COAT IF PLATED OR POWDER-COATED SEE FINISH MACHINE ALL SURFACES | | SIZE C | DWG. NO. 0161-0000-00 | REV A |
| | | SCALE: 1:1 | | SHEET 1 OF 2 |



| | | | | |
|---|--|--|-----------|---|
| UNLESS OTHERWISE SPECIFIED: DIMENSIONS ARE IN INCHES TOLERANCES: ANGULAR: MACH ± BEND ± TWO PLACE DECIMAL ±0.010 THREE PLACE DECIMAL ±0.005 FOUR PLACE DECIMAL ±0.0005 ANGLES ±2° UNMARKED FILLETS/ROUNDS R.0625 DE-BURR ALL PARTS | | NAME | DATE |  LaserLinc, Inc. Phone: 888-707-4892 info@laserlinc.com www.laserlinc.com |
| DRAWN BY: MAM | | MAM | 2/23/2011 | |
| THE INFORMATION CONTAINED IN THIS DRAWING IS THE SOLE PROPERTY OF LASERLINC, INC. ANY REPRODUCTION IN PART OR AS A WHOLE WITHOUT THE WRITTEN PERMISSION OF LASERLINC, INC IS PROHIBITED. | | INTERPRET GEOMETRIC TOLERANCING PER: MATERIAL: FINISH: DO NOT SCALE DRAWING | | TITLE: 0161-0000-00 Overall and Mounting Dimensions SIZE: C DWG. NO.: 0161-0000-00 SCALE: 1:2 |
| PROPRIETARY AND CONFIDENTIAL THE INFORMATION CONTAINED IN THIS DRAWING IS THE SOLE PROPERTY OF LASERLINC, INC. ANY REPRODUCTION IN PART OR AS A WHOLE WITHOUT THE WRITTEN PERMISSION OF LASERLINC, INC IS PROHIBITED. | | 63 RA SURFACE FINISH ALL FEATURES MUST MEET SPECIFICATION AFTER PLATING BEFORE POWDER-COAT IF PLATED OR POWDER-COATED SEE FINISH MACHINE ALL SURFACES | | REV: A SHEET 2 OF 2 |